



Sparklite®

ELECTRONIC IGNITION SYSTEMS

Model EPI (Electronic Pilot Ignition)

Gas Saver Eliminates Constantly Burning Pilot

Specially designed and engineered to fit most gas heating systems—cycling pilot saves energy and money year-round! The Gas Saver Retrofit package makes the gas ignition system on your furnace or boiler comparable to the one on a new furnace. Can be used on equipment up to 400,000 B.T.U./Hr.

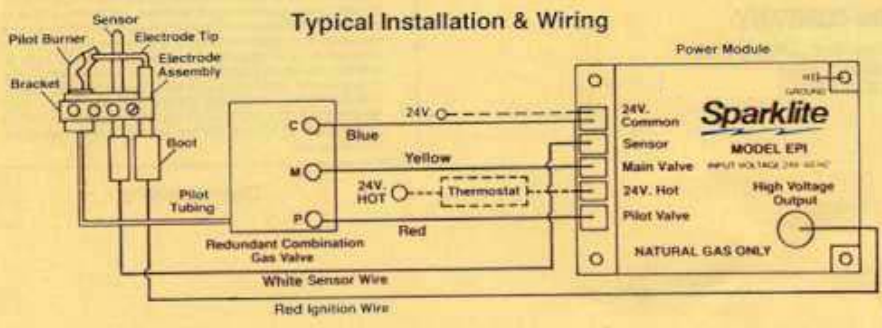
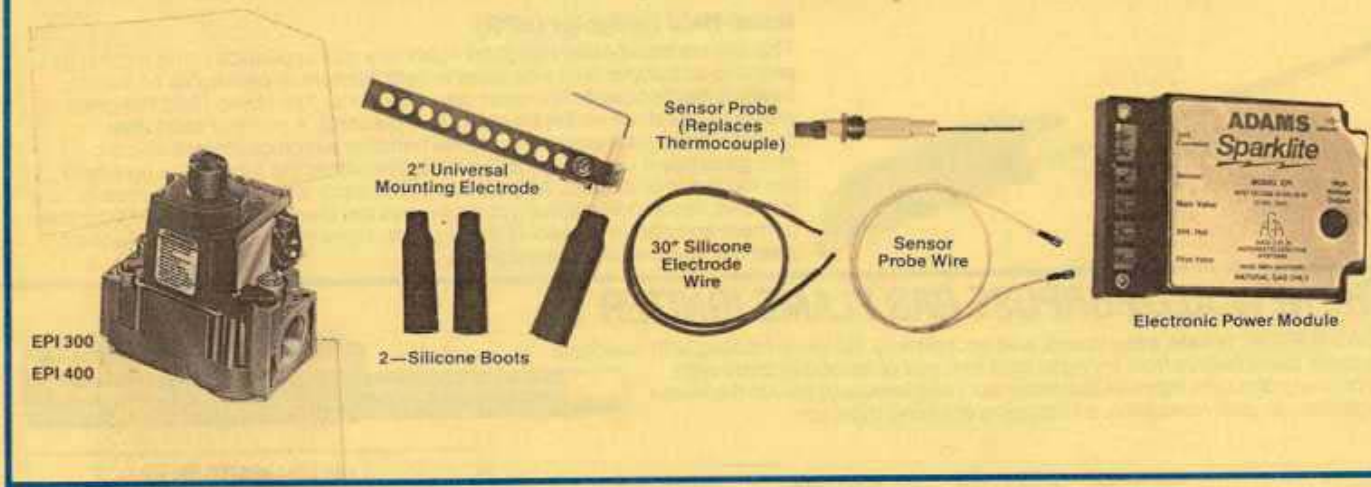


Model	Max Capacity M.B.T.U./Hr.	Type Gas	Pipe Size
EPI-300	300,000	Nat.	1/2" x 3/4"
EPI-100/300	300,000	Nat. or LP	1/2" x 3/4"
EPI-400	400,000	Nat.	3/4"
EPI-100/400	400,000	Nat. or LP	3/4"

Sequence of Operation.

1. Thermostat calls for heat
2. Pilot automatically lights
3. Pilot is proven and burner lights
4. When thermostat is satisfied, all gas is shut off.

Gas Saver Retrofit (Model EPI) Kit Includes:



The Speedy® easy way to eliminate constantly burning pilots. Most installations take less than 30 minutes. Components design certified to ANSI Z21.20 standard for gas ignition systems by American Gas Association.

OTHER



Sparklite[®] PILOT LIGHTING SYSTEMS



Automatic Pilot Relighter (APR)

The automatic pilot relight system is activated the instant the gas pilot flame is extinguished. It generates a continuous stream of ignition sparks through the spark gap until the pilot is re-ignited. After the pilot is re-ignited, the Sparklite unit shuts off automatically. The automatic Sparklite should be installed only on equipment which has pilot safety controls. If for any reason the pilot cannot be re-ignited, the pilot safety controls will shut off the gas supply after a short interval. Either 24 volts or 120 volts can be used (without need for an additional transformer) to power this new model APR automatic pilot relighter. If a 240 volt application is required a 24/240 volt transformer can be used. Popular applications for this automatic relight system are on rooftop heating equipment, unit heaters, furnaces, boilers, water heaters or virtually anywhere that a pilot outage would be a problem.

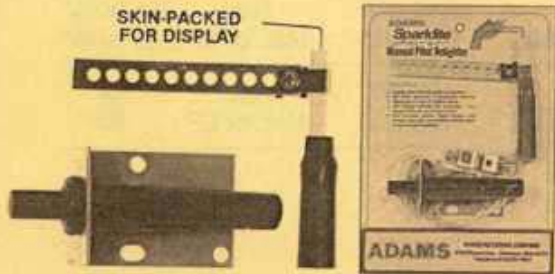
Automatic System Includes:

- 1—30" Silicone Wire
- 2—Power Module

- 3—Silicone Boot
- 4—2" Universal Mounting Electrode
- 5—Mounting Screws

- 6—Terminal Connectors
- 7—Thermocouple Mounting Bracket for Electrode
- 8—Round Plastic Gage

SKIN-PACKED
FOR DISPLAY



Manual Pilot Relighter (MPR)

With push button ease and convenience, the Adams manual "Sparklite" creates its own spark for instant lighting of any flammable gas. The operating principle of this "Sparklite" unit is simple and effective. The Sparklite push button drives a steel impact pin, which is spring loaded, against a capsule which contains a sandwich of steel, ceramic, and steel with enough force to squeeze the piezoelectrically energized ceramic which releases its stored energy to create a high voltage spark. This igniter can be used on furnaces, boilers, water heaters, or recreation vehicle equipment and is particularly convenient when added to a gas grill for quick push button lighting.

Manual System Includes:

- 1—Piezoelectric Igniter
- 2—Mounting Bracket

- 3—30" Teflon Wire
- 4—Silicone Boot
- 5—2" Universal Mounting Electrode

- 6—Thermocouple Mounting Bracket for Electrode
- 7—Round Plastic Gage

Hand-Held Relighter (HPR)

The Adams Hand-Held Relighter lights any gas appliance using natural gas, propane or butane. It can be used to light burners or pilot lights on stoves, heaters, barbecues or any other gas appliance. The Hand-Held Relighter creates a spark when the black knob is pressed. A piece of solid state ceramic material is struck by a small hammer which causes an electric charge to travel up a tough teflon lead wire within the tube to the tip where the electrode is located. A spark is created each time the black button is pressed. Tests indicate that you can press the black button for 100,000 times or more and obtain a spark at the tip. Also, there are no parts to replace or wear out and the unit is waterproof.

THE NEW ALL-PURPOSE GAS FLAME IGNITER

"GAS MATCH" is safe, easy to use, and economical. No more fiddling with matches! No more burnt fingers from trying to light that gas or kerosene stove with an ordinary cigarette lighter! Countless work and leisure uses—in the home or garden, at your workplace, on camping or hiking trips, etc.



9545 Granger Rd. Garfield Hts., Ohio 44125
Telephone (216) 662-1600
Fax (216) 587-6807